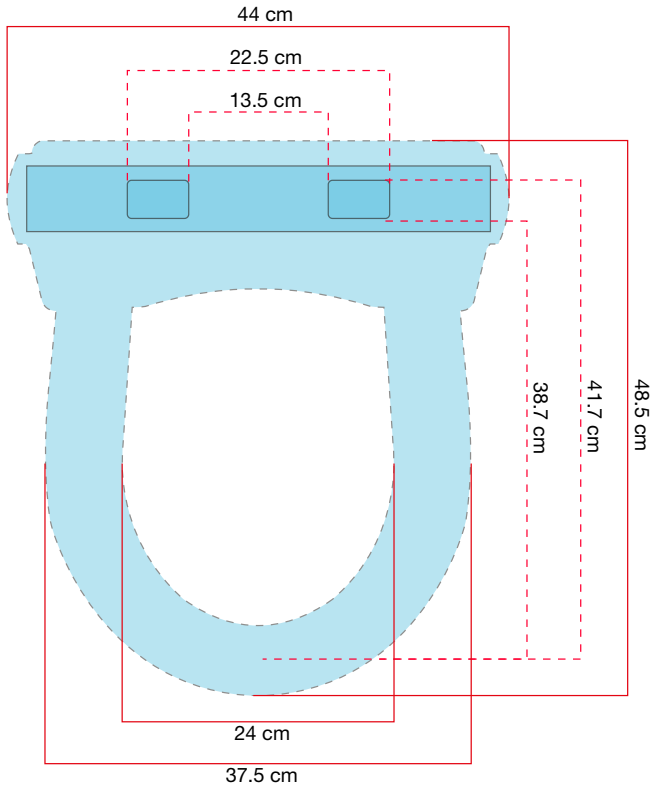
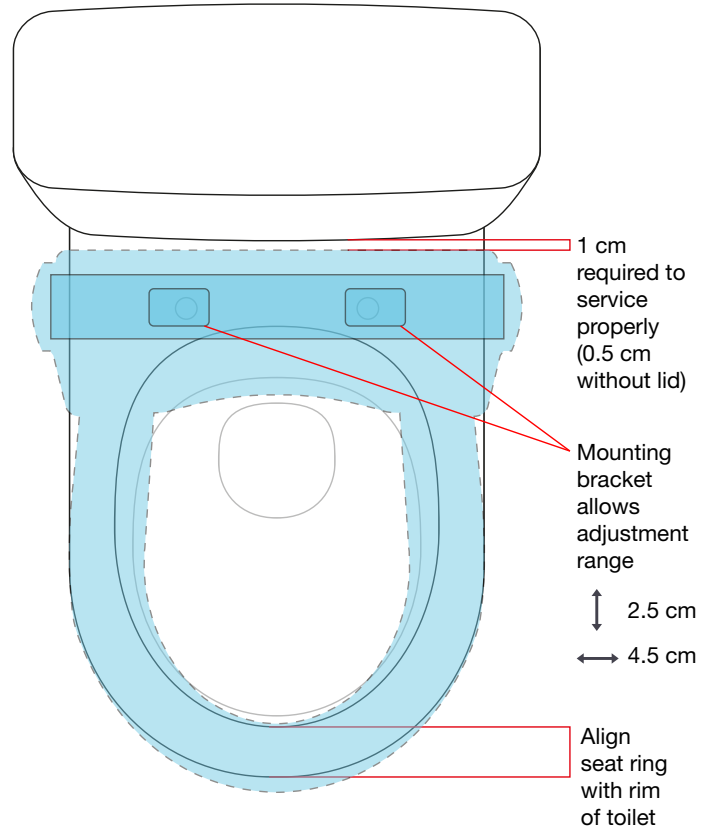


**Dimensions & Movement Range**

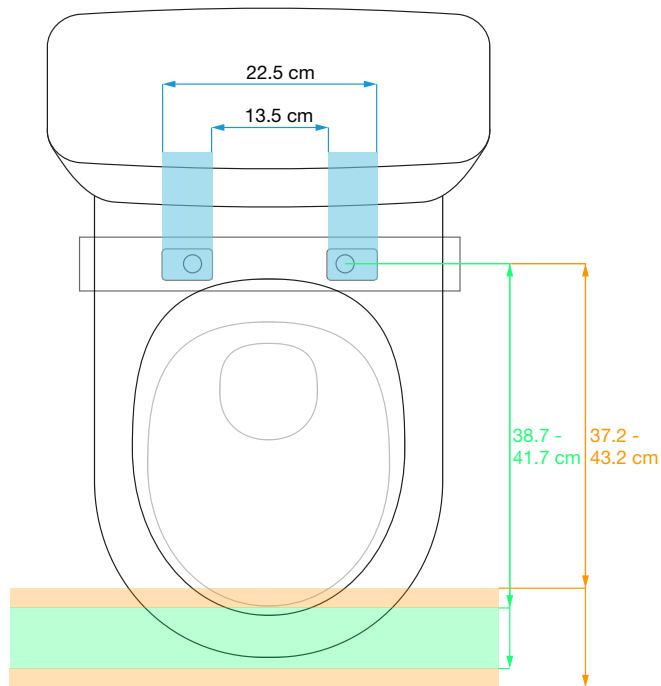


— Dimensions  
 - - - Movement Range

**Alignment**



**Does the S3500 Fit?**



Optimal seat ring position  
 Possible seat ring position  
 Left to right movement range of 4.5 cm  
 Hole spacing tolerance of 9 cm

