

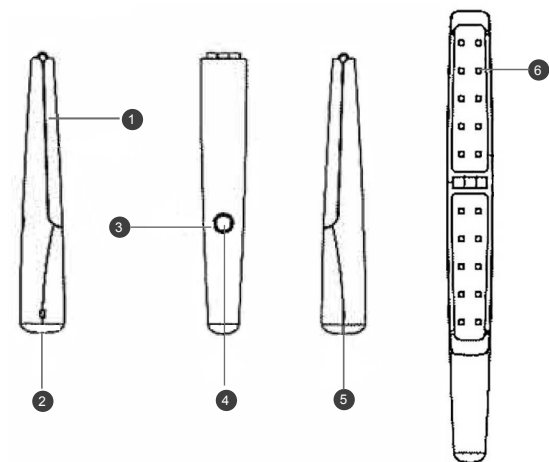
59S[®] UVC LED HANDHELD STERILIZER



X5
User Manual

INTRODUCTION

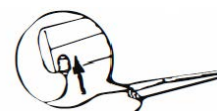
This is a portable & rechargeable sterilizer, and very easy to use. It can kill bacteria at sterilization rate of 99.9%. It's clean, ozone free to take good care of your daily accessories!



- 1 Flip Panel
- 2 Children Safety Lock
- 3 LED Indicator
- 4 Sterilizing Button
- 5 Input Interface
- 6 UVC LEDs

HOW TO USE

1. Please get it fully charged with a compliance adaptor of output 5V=1A.



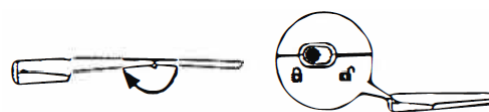
2. Unlock the children safety lock to "Ⓛ", then unfold the flip panel.



3. Wear the protective goggles first, and double click sterilizing button to scan back and forth 5-10 times as a whole sterilization cycle, extra single click will stop sterilizing instantly.



4. Once sterilization is completed, fold the flip panel and restore the children safetylock to "Ⓛ".



APPLICATION

Sterilization for any of surfaces, such as hotel bedding, bathtubs, cribs, cushions, etc.

SAFETY PROTECTION

Built-in gravity sensing switch, it stops working automatically when the product is turned over.

STERILIZATION PRINCIPLE

UVC LED light kills bacteria by destroying DNA or RNA, to stop them from reproducing and generating.

UVC LED DEODORIZATION

UVC waves can deodorize by decomposing the molecular structure of odor.

INTRODUCTION OF BACTERICIDAL FACTORS AND MICROORGANISM CATEGORIES

The main bactericidal factor and its intensity: UVC light, the average irradiance at a vertical distance of 0 cm and 3.5cm below the top UVC LED is respectively 2360μW/cm² and 188μW/cm²; killing microorganisms: Escherichia coli, Staphylococcus aureus.

INDICATOR STATEMENT

SN	Working Status	Indicator
★	Charging	Red light flickering
★	Stand-By	White light dimmed
★	Working	White light highlighted
★	Sterilizing	Red light flashes

SOUND REMINDER

"ding"	Start sterilizing
slight current	During sterilization process

TECHNICAL PARAMETERS

1. Product Name: 59S*SZQ20-X5BAT UVC LED Handheld Sterilizer
2. Model: X5
3. Input: 5.0V $\overline{\text{=}}$ 1A
4. LED Beads: 20 pieces
5. Dimension: 257x42x40mm
6. Net Weight: 210g
7. Wavelength: 260-280nm
8. Power Supply Interface : Micro USB
9. Discharge Time: 50 Minutes
10. Battery Parameters: Nominal Voltage: 3.6V
Limited Charging Voltage: 4.2V
Nominal Capacity: 2500mAh
Power:9Wh
Standard: GB/T 18287-2013
11. UVC LED Lifespan: 10.000 hours
12. Working Temperature: 0~40°C
Storage Temperature: ~20~55°C

PACKING LIST

- 1 Wand *1
- 2 USB cable *1
- 3 User Manual *1
- 4 Protective Goggles *1
- 5 Portable storage bag *1

WARNINGS

1. It is compulsory to wear the protective goggles while using the device.
2. Use the compliance adaptor for power supply, otherwise the product will get damaged.
3. Fully charge the wand before using.
4. Keep operation away from strong magnetic field objects.
5. Remove the musty smell of towels: it will be more obvious when you sterilize for few times more according to the concentration of the odor.
6. Study the manual carefully and thoroughly, keep it properly.

• In order to improve performance, there will be changes in product features without prior written notice, please refer to actual contents in the package.



NAME AND CONCENTRATION OF HARMFUL SUBSTANCE OR ELEMENTS

Part Names	Harmful substance or elements						
	Pb	Hg	Cd	Cr(VL)	PBDE	PBB	EFUP
Shell	0	0	0	0	0	0	10
PCBA	X	0	0	0	0	0	10
USB Cable	X	0	0	0	0	0	10
Battery	0	0	0	0	0	0	5

O: It means that the concentration of the toxic and harmful substance in all homogeneous materials of the component is compliance with the limitation stipulated in GB/26572-2011.

X: The concentration of the toxic and hazardous substances in certain homogeneous material of the component exceeds the limitation specified in GB/26572-2011.

Note: Components marked "X" stands for no alternative technologies or components available at this stage.

The EFUP refers to the safety lifespan of using the product without hazardous material leakage under the conditions specified in the manual.

- 10 For the product : 10 years EFUP under normal use conditions
- 5 For the battery : 5 years EFUP under normal use conditions

WARRANTY

Warranty Details

Thank you for purchasing our product. In order to offer you good experience and protect your rights, we provide after-sales service in accordance with regulations & requirements by MII and AQSIQ.

The following circumstances are not covered by warranty:

- Warranty expires.
- Malfunction or damage resulted from failure to use, maintain or keep the machine as instructed by the User Manual.
- Disassemble the machine by customers without permission.
- Malfunction or damage caused by human errors (such as misuse, collision or wrong voltage input).

Product Model: _____ Date of purchase: _____
 Dealer: _____ User name: _____
 Phone number: _____
 User address: _____

▲ This voucher serves as an important evidence to resort for after-sales service and shall be kept properly.